



Sartobind® SingleSep

Process Scale Membrane Adsorbers Ion Exchange



Sartobind SingleSep ion exchange capsules are designed to remove contaminants from therapeutic proteins at accelerated flow rates. This is a direct result of negligible mass transfer effects and is made possible by the $>3 \mu\text{m}$ macroporous membrane. The design allows for robust chromatographic separations and drastically reduced validation costs.

Efficient removal of:

- Viruses $>6 \log$
- DNA below detection limit
- Endotoxins $>5 \log$
- Host cell proteins $>99\%$

Economical:

- No hardware investment & maintenance
- No column packing, testing, regeneration
- No re-use validation
- Less unspecific binding – higher yield
- Less labor and buffer consumption
- 95% buffer savings

Easy:

- Ready-to-use and disposable
- No trouble with air entrapment, channeling or bed cracking
- Autoclaving at 121°C for 30 min, one cycle
- Simple and fast set-up
- High flow rates: 25–30 bed volumes per minute

Quality Control

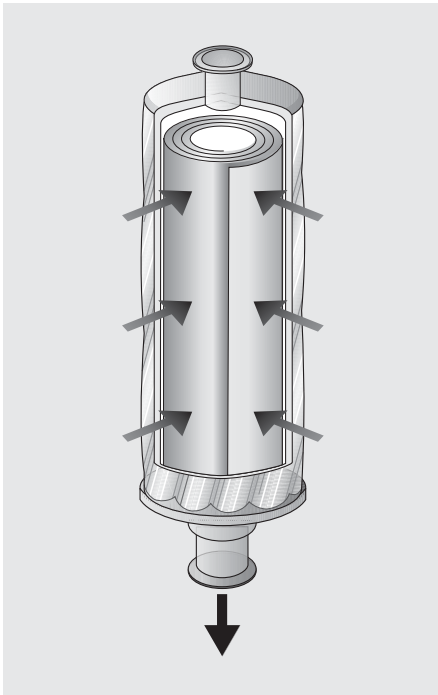
Sartobind SingleSep capsules are designed, developed and manufactured in accordance with an ISO 9001 certified Quality Management System. They have passed Plastic Class VI, particles and extractables test according to current United States Pharmacopoeia (USP) and are tested for protein binding capacity prior to release. Each package contains a certificate of quality assurance.

Specifications

Base membrane:	Stabilized reinforced cellulose
Membrane thickness:	275 μm
Pore size:	$>3 \mu\text{m}$
Membrane types:	- Strong cation exchanger S (sulfonic acid) - Strong anion exchanger Q (quaternary ammonium)
Capsule design:	Cylindrical
Number of layers:	15
Bed height:	4 mm
Housing material:	Polypropylene
Max. pressure:	0.4 MPa (4 bar 58 psi)
Sanitisation:	1 N NaOH 30–60 min

Related products

Sartobind System
Sartobind MA units laboratory scale



Technical Data

Order No.	Description	Connector	Quantity	Bed volume [ml]	Nominal protein binding capacity [g]	Rec. flow rate [l/min]
92IEXQ42DN-11	Sartobind Q SingleSep nano 1 ml	Luer Lock	1	1	0.03	0.03
92IEXQ42DN-11--A	Sartobind Q SingleSep nano 1 ml	Luer Lock	4	1	0.03	0.03
92IEXQ42D4-00--A	Sartobind Q SingleSep mini capsules	hose barb	4	7	0.2	0.2
92IEXS42D4-00--A	Sartobind S SingleSep mini capsules	hose barb	4	7	0.2	0.2
92IEXQ42D4-SS--A	Sartobind Q SingleSep mini capsules	sanitary	4	7	0.2	0.2
92IEXS42D4-SS--A	Sartobind S SingleSep mini capsules	sanitary	4	7	0.2	0.2
92IEXQ42D9-00--A	Sartobind Q SingleSep 5" capsules	hose barb	4	70	2	1.9
92IEXS42D9-00--A	Sartobind S SingleSep 5" capsules	hose barb	4	70	2	1.9
92IEXQ42D9-SS--A	Sartobind Q SingleSep 5" capsule	sanitary	4	70	2	1.9
92IEXS42D9-SS--A	Sartobind S SingleSep 5" capsules	sanitary	4	70	2	1.9
92IEXQ42D1-SS	Sartobind Q SingleSep 10" capsules	sanitary	1	180	5.3	5
92IEXS42D1-SS	Sartobind S SingleSep 10" capsule	sanitary	1	180	5.3	5
92IEXQ42D2-SS	Sartobind Q SingleSep 20" capsule	sanitary	1	360	10.5	10
92IEXQ42D3-SS	Sartobind Q SingleSep 30" capsule	sanitary	1	540	15.8	15
92IEXS42D3-SS	Sartobind S SingleSep 30" capsule	sanitary	1	540	15.8	15
92IEXQ42DC3SS	Sartobind Q SingleSep mega capsule	sanitary	1	1620	48	50

Minimum static binding capacity is 0.8 mg/cm² (29 mg/ml) measured with bovine serum albumin and hen egg lysozyme for Q and S membranes, respectively.

Sartorius Stedim Biotech GmbH
August-Spindler-Strasse 11
37079 Goettingen, Germany

Phone +49.551.308.0
Fax +49.551.308.3289
www.sartorius-stedim.com

USA Toll-Free +1.800.368.7178
UK +44.1372.737159
France +33.442.845600
Italy +39.055.63.40.41
Spain +34.91.3586102
Japan +81.3.3740.5407

Sartobind® is a trademark of Sartorius AG.
Specifications subject to change without notice.
Printed and copyrighted by Sartorius Stedim
Biotech GmbH · W/sart-000 · G
Publication No.: SL-2018-e08066
Order No.: 85030-519-08